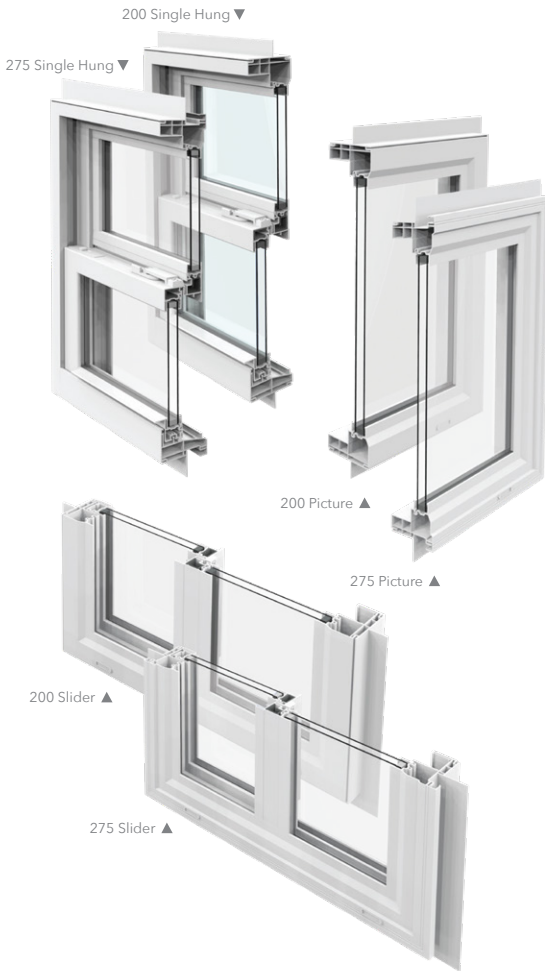




Series 200 is cleanly designed with a smooth beveled exterior profile giving it a nice bold appearance. Series 275 has a profiled exterior simulating wood brick moulding. Available in Single Hung, Picture Window, Horizontal Slider and Architectural Shapes in White, Sandstone and Clay. Series 200 available in Black/White laminate.

- Multi-chambered, fusion-welded, extruded-vinyl frame and sash provides stability and strength, thermal-resistant properties, and is extremely low maintenance.
- Tilt-in removable bottom sash for ease of cleaning has dual sash locks on units 18" and wider, reducing air infiltration; recessed tilt latches, integral lift rail adds strength.
- Metal reinforced meeting rail for added strength, positive locking and reduced air infiltration.
- Sill features a combined sloped and weep system, ensuring quick and easy water run off.
- Integral pre-punched nail fin adds strength, a weather tight barrier and ease of installation.
- Dual-weatherstrip system reduces infiltration to meet or exceed national testing standards.
- Dual pane 3/4" clear insulated glass with Warm Edge Spacer.
- Block and tackle balances provide smooth operation; locking shoes prevent sash from falling out when tilting for cleaning or removal.



NFRC PERFORMANCE RATINGS (3/4" overall IG with Quanex Duralite spacer)

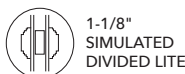
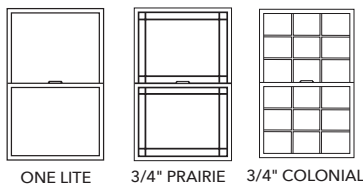
SINGLE HUNG	Glass Type Exterior + Interior	Gap Fill	Grid Option	NFRC Performance Ratings			EnergyStar® v7 Climate Zone Compliance		
				U-F	SHGC	VT	Southern	S.Central	N.Central
Standard	LoE-366 + Clear	Air	no Grid	0.33	0.22	0.51	No	No	No
		Air	with Grid	0.33	0.20	0.46	No	No	No
		Argon	no Grid	0.30	0.22	0.51	Yes	No	No
		Argon	with Grid	0.30	0.20	0.46	Yes	No	No
STC rated (STC = 29) requires DSB + 3/16" glass thickness	LoE-366 + Clear	Air	no Grid	0.33	0.22	0.50	No	No	No
		Air	with Grid	0.33	0.20	0.45	No	No	No
		Argon	no Grid	0.29	0.22	0.50	Yes	No	No
		Argon	with Grid	0.29	0.20	0.45	Yes	No	No

HORIZONTAL SLIDER	Glass Type Exterior + Interior	Gap Fill	Grid Option	NFRC Performance Ratings			EnergyStar® v7 Climate Zone Compliance		
				U-F	SHGC	VT	Southern	S.Central	N.Central
Standard	LoE-366 + Clear	Air	no Grid	0.33	0.22	0.51	No	No	No
		Air	with Grid	0.33	0.20	0.46	No	No	No
		Argon	no Grid	0.29	0.22	0.51	Yes	No	No
		Argon	with Grid	0.29	0.20	0.46	Yes	No	No
STC rated (STC = 29) requires DSB + 3/16" glass thickness & 11/16" IG	LoE-366 + Clear	Air	no Grid	0.34	0.22	0.51	No	No	No
		Air	with Grid	0.35	0.20	0.45	No	No	No
		Argon	no Grid	0.29	0.22	0.51	Yes	No	No
		Argon	with Grid	0.30	0.20	0.45	Yes	No	No

PICTURE WINDOW	Glass Type Exterior + Interior	Gap Fill	Grid Option	NFRC Performance Ratings			EnergyStar® v7 Climate Zone Compliance		
				U-F	SHGC	VT	Southern	S.Central	N.Central
Standard	LoE-366 + Clear	Air	no Grid	0.32	0.23	0.54	Yes	No	No
		Air	with Grid	0.32	0.21	0.49	Yes	No	No
		Argon	no Grid	0.28	0.23	0.54	Yes	Yes	No
		Argon	with Grid	0.28	0.21	0.49	Yes	Yes	No
STC rated (STC = 31) requires DSB + 3/16" glass thickness & 11/16" IG	LoE-366 + Clear	Air	no Grid	0.34	0.24	0.53	No	No	No
		Air	with Grid	0.36	0.22	0.48	No	No	No
		Argon	no Grid	0.29	0.23	0.53	Yes	No	No
		Argon	with Grid	0.30	0.21	0.48	Yes	No	No

Unless specified, the NFRC values & Energy Star compliance are for double glazed, SSB (3/32") glass thickness. For glass thicknesses above this, contact your sales representative for ratings information.

Please visit WestlakeRoyalWindows.com for more information.



You may qualify for a tax credit when you replace your existing windows. For more information, go to energystar.gov

