



SHOWCASETM

Window and Door Company



Showcase 143 Window Series

The Smart Choice

The Showcase Window and Door Company was founded in 1994 in Houston, Texas. We custom manufacture quality windows and patio doors for dealers in the Gulf Coast states of Texas, Louisiana and Mississippi.

Showcase has been at the forefront of the vinyl window business since inception. We were one of the first manufacturers to offer both vinyl windows and doors and Low-E glass in the state of Texas. Our vinyl windows and doors are highly energy efficient and provide a lifetime of worry-free performance. We also produce hurricane Impact Windows which are specifically designed for the weather extremes along the Gulf Coast.

We take great pride in our flexibility in serving our dealers. Showcase can produce virtually any shape and size window you need. Basically, you design it—we'll build it.

Our Growth

We have reconfigured our original facility several times to meet rising demand. In July of 2022, we moved to a new manufacturing facility which doubled our square footage. To better meet your needs in windows and doors, the improvements at the Missouri City facility in Greater Houston include:

- Increased fabrication capacity
- More computerized equipment
- Robotics for speed and precision

Vinyl Technology

The design of our windows, and the quality of our fusion-welded frames, provides beauty and performance in our finished products. Showcase windows and patio doors were developed in conjunction with our partner, Deceuninck, LLC, recognized as a designer and extruder of vinyl window systems.

In addition to quality, social responsibility is important to us. That's why Showcase vinyl extrusions are produced in the USA using common natural materials. Virtually all components are 100% recyclable and environmentally friendly.

Manufacturing Excellence

We manufacture a range of window and door products at our expanded facility. Showcase employs state-of-the-art equipment, along with lean manufacturing and continuous improvement techniques. This ensures that our products deliver both superior quality and long-term performance.

Proven Quality

For nearly three decades, Showcase vinyl windows and doors have set the standard for quality and service. In addition to our quality vinyl extrusions, Showcase windows and doors feature Cardinal double-strength LoE glass with Argon gas.

Our product line is engineered and built to meet the highest quality standards and performance specifications in the industry.



Sunshield is a registered trademark of Deceuninck North America

Our High Performance Glass



Our High-Performance Glass

The insulating, high-performance glass in Showcase products provide both long-term value and exceptional thermal performance. Our low-emissivity glass coatings have four distinct advantages: 1) High Visibility, 2) Solar Control, 3) Energy Savings, and 4) Year-Round Comfort. Our insulating glass is manufactured by Cardinal Glass®, the premier manufacturer in the industry.

Laminated Glass Technology

Our laminated glass options consist of annealed, heat-strengthened or tempered glass with one or more transparent, high-strength interlayers. We offer advanced LoE coatings and warm edge technology, and there's no need for glass tints.

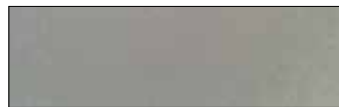


Obscure Glass Distorts View from Outside

For bathrooms and private areas



Glue Chip Pattern



Obscured Pattern



Rain Pattern



Satin Pattern



LoE3-366 Glass with Argon Gas Filling

This glass delivers the ideal balance of solar control and visual clarity. It provides the highest levels of year-round comfort and energy savings. The secret? A remarkable triple layer of silver for thermal protection. Additionally, a clearcoating blocks more solar heat gain than ever before.



LoE3-340 Glass with Argon Gas Filling

The solar performance of our LoE3-340 glass is exceptional. This double-pane glass reduces oppressive solar heat gain and glare. In cold weather the low U-factor reduces indoor heat loss. The result is year-round comfort.



LoE2-270 Glass with Argon Gas Filling

This glass is a great choice for all-season comfort. It reduces solar heat gain by 50% when compared to ordinary glass. LoE2-270 glass also allows light in to warm your home during cooler winter months.



Hurricane Impact Glass

Our employees live and work in the Gulf Coast region. We know how to build windows that stand up to weather extremes! Our Impact windows are approved by the Texas Department of Insurance (TDI) for new construction and replacement windows.

Preserve™ Window Film

Showcase provides an end-to-end solution for dirty and marred windows. Preserve™ film gives you numerous benefits, including:

- Scratch resistance from shipping to job completion for both sides of glass
- Protection from on-the-job construction dirt
- Faster glass clean up – just peel off and the dirt and labels go with it



Showcase 143 Single Hung



- **Fusion Welded Frame and Sashes:** Offers strength, leak resistance and structural integrity.
- **Constant Force Balance System:** Provides a lifetime of smooth sash operation.
- **Interlocking Meeting Rails:** Integral Interlocks provide additional security.
- **Trim Sightline:** Allows the maximum amount of natural light.
- **Frames Available With or Without Nail Fin:** Allows for use in new construction or replacement applications.
- **Beautiful Millwork Frame:** Gives your home a fresh and elegant new look.
- **Soft Curved Sash Design:** Looks like a traditional wood window sash.
- **Designer Sweep Lock:** Provides added security.
- **Full Length Extruded Lift Rail:** Provides easy sash operation.
- **Tilt-in Sash:** Sash tilts in for easy cleaning.
- **Recessed Tilt Latches:** Color matched, low profile latches for a neat appearance. (Non-Impact)
- **3/4" High Performance Insulated Glass System:** Minimally conductive, thermally efficient spacer provides barrier to heat transfer.
- **Unique 5° Positive Sloped Sill:** Provides immediate water runoff and outperforms traditional weep systems.
- **Heavy Duty Weatherstrip Design:** Double weatherstripping provides superior resistance to air and water infiltration.
- **Sturdy Half Screen:** Heavy-duty construction for a lifetime of trouble-free operation.
- **Limited Lifetime Warranty (10-Year Warranty on Laminates)**

143 Single Hung Window

Our 143 Single Hung Window will provide a lifetime of reliable, trouble-free operation. You'll also benefit from the improved energy efficiency of your home. Our windows are designed for the weather along the Gulf Coast, and in the wider region we serve. This includes: Texas, Louisiana and Mississippi. The smart choice in windows is the 143 Single Hung Window from Showcase.

Minimum/Maximum Sizes

15.25" x 22" up to 53" x 96"*

35.5" x 61.5" minimum egress size

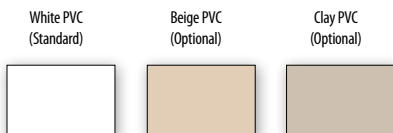
* Larger sizes available upon request

Certified Test Performance

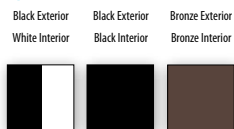
For testing specifics on new construction and replacement products see our website at: www.showcasewindows.com/vinyl-windows/testing-information/
Or Click the QR Code:



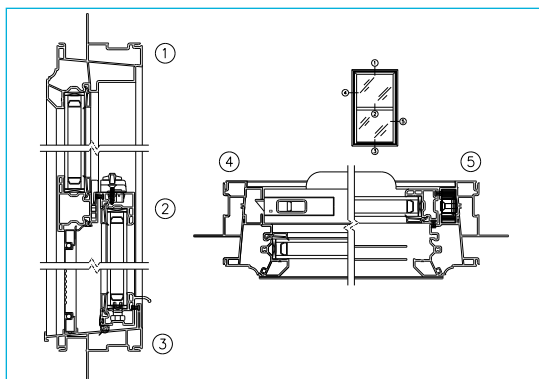
Designer Color Choices:



Optional Exterior/Interior Laminates



Colors shown may vary slightly from the actual color due to differences between paper printing and product production. Check with your Showcase representative if you would like a color sample.



Showcase 143 Double Hung



- **Fusion Welded Frame and Sashes:** Offers strength, leak resistance and structural integrity.
- **Constant Force Balance System:** Provides a lifetime of smooth sash operation.
- **Trim Sightline:** Allows the maximum amount of natural light.
- **Frames available with or without nail fin:** Allows for use in new construction or replacement applications.
- **Beautiful Millwork Frame:** Gives your home a fresh and elegant new look.
- **Soft Curved Sash Design:** Looks like a traditional wood window sash.
- **Designer Sweep Lock:** Provides added security.
- **Full Length Extruded Lift Rail:** Strong handle provides easy sash operation.
- **Dual Tilt In Sashes:** Sashes tilt in for easy cleaning.
- **Recessed Tilt Latches:** Color matched, low profile latches for a neat appearance. (Non-impact)
- **3/4" High Performance Insulated Glass System:** Minimally conductive, thermally efficient spacer provides barrier to heat transfer.
- **Interlocking Meeting Rails:** Interlocking sashes provide additional security.
- **Unique 5° Positive Sloped Sill:** Provides immediate water runoff and outperforms traditional weep systems.
- **Heavy Duty Weatherstrip Design:** Double weatherstripping provides superior resistance to air and water infiltration.
- **Sturdy Full Screen:** Heavy-duty construction for a lifetime of trouble-free operation.

143 Double Hung Window

The Showcase 143 Double Hung Window provides the most options for room ventilation. This double hung also features ease-of-maintenance. With our excellent thermal performance, you'll also see significant energy savings.

Our Double Hung Window is guaranteed to last a lifetime. Showcase products will improve the comfort and appearance of any home for years to come. For the best choice in windows, ask for the 143 Double Hung Window from Showcase.

Minimum/Maximum Sizes

17.5" x 23.5" up to 48" x 96"

35.5" x 65.5" **

** Minimum egress size

* Larger sizes available upon request

Certified Test Performance

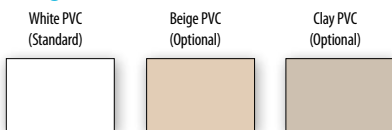
For testing specifics on new construction and replacement products see our website at:

www.showcasewindows.com/vinyl-windows/testing-information/

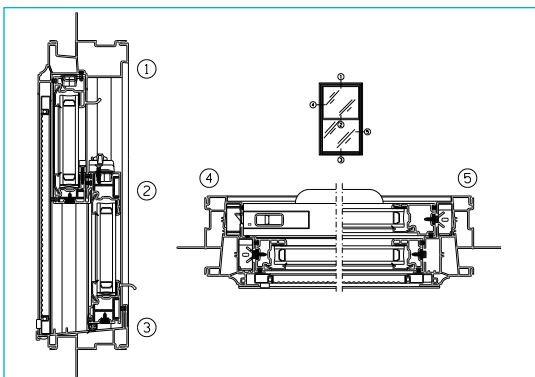
Or Click the QR Code:



Designer Color Choices:



Colors shown may vary slightly from the actual color due to differences between paper printing and product production. Check with your Showcase representative if you would like a color sample.



Showcase 143 Horizontal Slider



143 Horizontal Slider Window

The Showcase 143 Slider Window provides easy horizontal sash movement. It's a practical alternative for locations where normal access may be difficult, such as above kitchen sinks. These windows glide smoothly from side-to-side, allowing fresh air in, plus opening for easy cleaning.

- **Fusion Welded Frame and Sashes:** Offers strength, leak resistance and structural integrity.
- **Sash Lifts Out for Easy Cleaning:** For added security, the sash can only be removed from inside the home.
- **Trim Sightline:** Allows the maximum amount of natural light.
- **Heavy Duty Stainless Steel Rollers:** Rollers allow for easy, smooth operation.
- **Equal Size Sashes Sight Lines:** Equal glass sizes create an appealing appearance. (2 lite only)
- **Frames available with or without nail fin:** Allows for use in new construction or replacement applications.
- **Soft Curved Sash Design:** Looks like a traditional wood window sash.
- **3/4" High Performance Insulated Glass System:** Minimally conductive, thermally efficient spacer provides barrier to heat transfer.
- **Heavy Duty Weatherstrip Design:** Double weatherstripping provides superior resistance to air and water infiltration.
- **Sturdy Half Screen:** Heavy-duty construction for a lifetime of trouble-free operation.
- **Limited Lifetime Warranty (10-Year Warranty on Laminates)**

Minimum/Maximum Sizes

23.5" x 16" up to 84" x 62.5"*

* Larger sizes available upon request

Certified Test Performance

For testing specifics on new construction and replacement products see our website at:

www.showcasewindows.com/vinyl-windows/testing-information/

Or Click the QR Code:



Designer Color Choices:

White PVC
(Standard)

Beige PVC
(Optional)

Clay PVC
(Optional)



Optional Exterior/Interior Laminates

Black Exterior

Black Exterior

Bronze Exterior

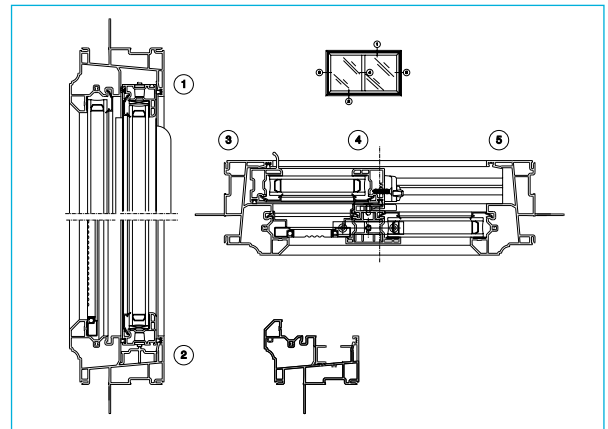
White Interior

Black Interior

Bronze Interior



Colors shown may vary slightly from the actual color due to differences between paper printing and product production. Check with your Showcase representative if you would like a color sample.



Showcase143 Picture Window

Minimum/Maximum Sizes

11.5" x 23.5" up to 84" x 84"*

* Larger sizes available upon request

Certified Test Performance

For testing specifics on new construction and replacement products see our website at:

www.showcasewindows.com/vinyl-windows/testing-information/

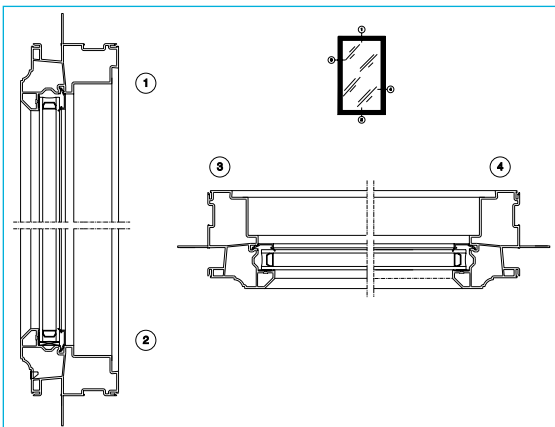
Or Click the QR Code:



143 Picture Window

The Showcase 143 Picture Window provides maximum visibility and unobstructed views. Picture windows can also be mounted to the top of a Single Hung, Double Hung or Casement window in "transom" fashion to provide extra height and additional light. Picture windows are the best choice for homeowners who desire a large, unobstructed view of the world.

- **Fusion Welded Frame:** Superior strength, leak resistance and structural integrity.
- **Trim Sightline:** Allows the maximum amount of natural light.
- **Unlimited Combinations:** Picture windows can be combined with any other window style.
- **Frames available with or without nail fin:** Allows for use in new construction or replacement applications.
- **3/4" High Performance Insulated Glass System:** Minimally conductive, thermally efficient spacer provides barrier to heat transfer.
- **Limited Lifetime Warranty (10-Year Warranty on Laminates)**



Designer Color Choices:

White PVC
(Standard)



Beige PVC
(Optional)



Clay PVC
(Optional)



Optional Exterior/Interior Laminates

Black Exterior



Black Exterior



Bronze Exterior



White Interior



Black Interior



Bronze Interior



Colors shown may vary slightly from the actual color due to differences between paper printing and product production. Check with your Showcase representative if you would like a color sample.

Showcase 143 Casement/Awning



143 Casement/Awning Window

The 143 Casement/Awning Window provides excellent structural and thermal performance in a design that is modern, functional, and easy to operate. Showcase windows are guaranteed to last a lifetime and will improve the comfort and appearance of your home. Make the smart choice: The Showcase Window and Door Company.

- **Fusion Welded Frame and Sashes:** Offers strength, leak resistance and structural integrity.
- **Full 90° Casement Sash Opening:** For maximum ventilation and easy cleaning from inside your home.
- **One Touch Multi-Point Locking System:** For easy operation, weather-tight performance and dependable security. Casement locks at multiple points.
- **Trim Sightline:** Allows the maximum amount of natural light.
- **Frames available with or without nail fin:** Allows for use in new construction or replacement applications.
- **Beautiful Millwork Frame:** Gives your home a fresh and elegant new look.
- **Soft Curved Sash Design:** Looks like a traditional wood window sash.
- **3/4" High Performance Insulated Glass System:** Minimally conductive, thermally efficient spacer provides barrier to heat transfer.
- **Stainless Steel Hardware:** Assures years of trouble-free service.
- **Folding Operator Handle:** Recesses into the operator cover, giving your windows a smooth, contemporary look and eliminating interference with curtains and blinds.
- **Heavy Duty Weatherstrip Design:** Weatherstripping provides unsurpassed resistance to air and water infiltration.
- **Sturdy Full Screen:** Provides a much improved view. Heavy-duty construction for a lifetime of trouble-free operation.
- **Limited Lifetime Warranty (10-Year Warranty on Laminates)**

Certified Test Performance

For testing specifics on new construction and replacement products see our website at:
www.showcasewindows.com/vinyl-windows/testing-information/
Or Click the QR Code:

Minimum/Maximum Sizes

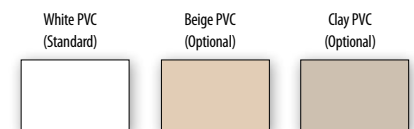
Casement

17.5" x 19.5" up to 36" x 75.5"

Awning

23.5" x 13.5" up to 59.5" x 39"

Designer Color Choices:

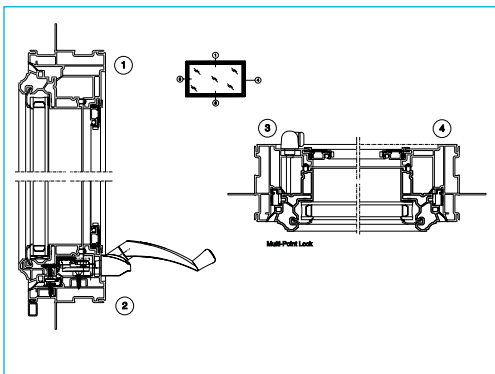


Optional Exterior/Interior Laminates

Black Exterior	Black Exterior	Bronze Exterior
White Interior	Black Interior	Bronze Interior



Colors shown may vary slightly from the actual color due to differences between paper printing and product production. Check with your Showcase representative if you would like a color sample.



Showcase 143 Impact Windows



Showcase 143 Impact Products

At the Showcase Window and Door Company, we take the weather seriously. Our products are manufactured in Greater Houston and are sold to dealers throughout the Gulf Coast region. We understand how brutal the weather can be in coastal regions and we manufacture our products accordingly.

- Our vinyl frames are stronger than those of other vinyl producers, allowing our products to achieve some of the best performance ratings in the business. Our proprietary, custom-made reinforcements and hardware systems allow us to offer premium Impact and hurricane performance at a very reasonable price.
- Showcase products have been tested all along the Gulf Coast, against some of the toughest hurricanes the United States has ever seen. Our products have passed with flying colors, withstanding the likes of Hurricanes Harvey, Katrina, Rita, Ike and others.

Laminated Glass Technology

Our laminated glass consists of annealed, heat-strengthened or tempered glass with one or more transparent, high-strength interlayers bonded together to create a stronger, sturdier glass unit.



ANNEALED
breaks easily, producing long, sharp splinters.



TEMPERED GLASS
shatters completely under higher levels of impact energy, and few pieces remain in the frame.



LAMINATED GLASS
may crack under pressure, but tends to remain integral, adhering to the plastic vinyl interlayer.

Whether you want your laminated glass to meet hurricane codes, provide home security, or reduce noise, we offer a product to meet your requirements, delivering a level of security and serenity that can't be realized with ordinary glass.

TDI Certified and Tested

Showcase products are tested by an independent laboratory and certified by TDI (the Texas Department of Insurance) for both replacement and new construction applications. Our Impact products are available in a variety of colors.

We take pride in the reputation our products have earned over the years. And, we back our windows with great service and an excellent warranty. You can select many Showcase 143 products for your Impact Window needs—and enjoy some peace of mind.

**(Impact options not available on Double Hung windows.)*



Resistance To Break-Ins By Vandals, Burglars and Weather:

Repeated blows from bats, crowbars, hammers or bricks may cause the glass to crack. The PVB interlayer holds glass together and the pane within the frame, making access to the home interior difficult. In a hurricane, window integrity isn't compromised. Meets ASTM F-1223 (class 1) forced entry standard.



Shielding From Ultraviolet Rays:

All things tend to fade when subjected to prolonged sun exposure. The laminated insulating glass in the 143 Window Series helps protect fabric, furniture and other items in a home from degradation by blocking the majority of UV rays, while still allowing light to shine through.



Greatly Reduced Sound Transmission:

Acoustic studies show reductions of up to 50% in the transmission of outside noise, compared to ordinary glass. This makes for a more peaceful and restful home, regardless of location.



Proven Resistance to Penetration From Flying Debris:

Standardized missile testing shows our windows resist repeated blows by a 9 pound, 10 Ft, 2x4 beam traveling at 34 mph. They are rated to withstand loads up to a DP-80. No need for ungainly plywood, or telltale metal shutters. Meets CPSC, CFR 1201 and ANSI Z97.1 safety glazing standards.



Excellent Performance:

To reduce solar heat gain intake and reduce heating and cooling costs throughout the year, the entire Showcase 143 Window Series meets some of the toughest energy standards.

143 Grid and SDL Options

Grid Patterns and Styles

Enhance the appearance of your windows with one of our numerous internal grid options. We offer flat and sculptured grids in a variety of patterns to complement any architectural style. Internal grids are placed between the panes of glass so they won't get in the way when you're cleaning your windows.

Internal Grid Style Options:



Flat 3/4"



Sculptured 5/8"

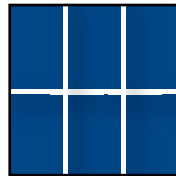
Internal Grid Pattern Options:



Sculptured White



Colonial White



Colonial



Diamond

Traditions® SDL (Simulated Divided Lite) Bars

We also offer Traditions® SDL bars which adhere to the exterior surfaces of the insulated glass unit to replicate the look of a traditional divided-lite wood window.

- Made from solid cellular PVC
 - 1-1/8" or 7/8" wide profiles with or without shadow bars
 - Standard and custom patterns
 - * Color matched (on most products - contact Showcase)
- 3/16" High

Traditions.
Simulated Divided Lite System



Limited Lifetime Warranty for Showcase 143 Series Products

We are always hard at work refining our products and developing new ones. Because of this, the specifications for our products may change without notice. Actual products may differ slightly from those featured in our photographs and illustrations.

Warranty

See 143 Series Warranty Information on Our Website at:
www.showcasewindows.com/vinyl-windows/window-warranties/
Or Click the QR Code:



Coverage For Glass Breakage

Our Limited Lifetime Warranty covers glass breakage, including tempered glass, unless attributable to acts of nature (e.g., fire, hurricane, etc.), civil disorder, building settlement, structural failures of walls or foundations, or improper installation, storage, or handling.

Simulated Divided Lites (SDL bars) are not covered under the glass breakage warranty, and will be invoiced separately in the event of breakage.

Specialty glass (e.g., laminated glass) is also not covered under this glass breakage warranty.

Care and Maintenance

Your Showcase windows will provide you with a lifetime of reliable service if given some simple, routine care and maintenance. Please visit our website (www.showcasewindows.com) for more information. Our warranty does not cover damage or defects related to a failure to follow the care and maintenance instructions.

IMPORTANT DO's AND DON'Ts

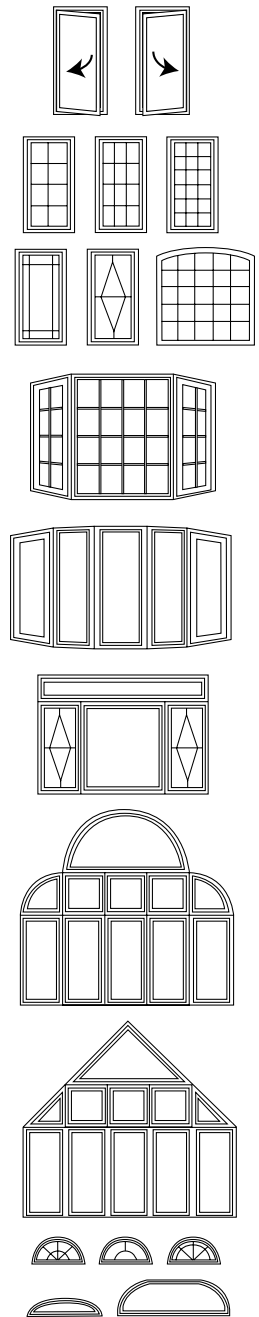
- DO:** Clean the frame surfaces with mild soap and water.
- DON'T:** Use razor blades, putty knives or abrasive scrub pads.
- DO:** Use a commercial glass cleaner or mild soap and water.
- DON'T:** Use ANY petroleum-based cleaners or solvents.
- DO:** Clean window & door tracks and weep holes.
- DON'T:** Use oil-based lubricants or damage weep hole covers/baffles.
- DO:** Regularly check weather stripping and hardware performance.
- DON'T:** Add aftermarket films or attachments to the glass.
- DO:** Read and understand your Warranty.

The 143 Window Series

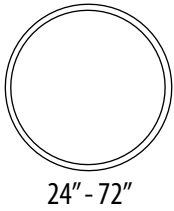
Available in a Wide Variety of Architectural Shapes

Whether you are building new or remodeling, Showcase offers a wide selection of custom-made windows and doors to complement any architectural style. With state-of-the-art bending machinery, create unique sizes and shapes with few limitations, including circles, octagons, eyebrows, and continuous jamb radius top windows.

Combinations & Styles



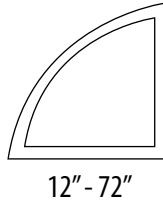
Full Circle



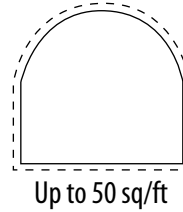
Half Circle



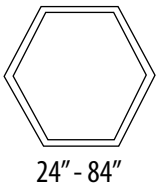
Quarter Circle



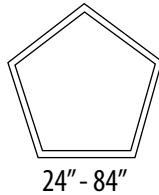
Cont. Jamb
Circle Top



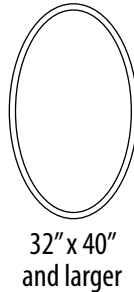
Hexagon



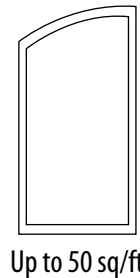
Pentagon



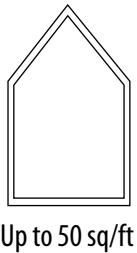
Oval



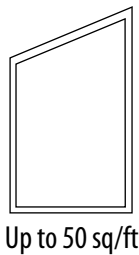
Half Eyebrow



Double
Trapezoid



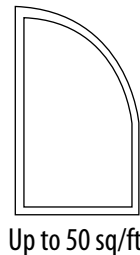
Trapezoid



Elliptical



Ext. leg
Qtr. Circle



Distributed by

12613 Citypark Drive Suite 100 • Missouri City, Texas • 77489

Phone: 713-926-8500

Fax: 713-926-8484

www.showcasewindows.com

sales@showcasewindows.com